

PROXXON

MH 550



Manual

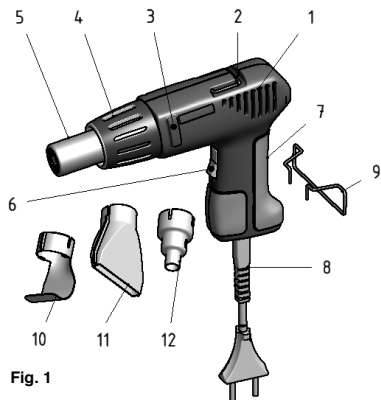


Fig. 1

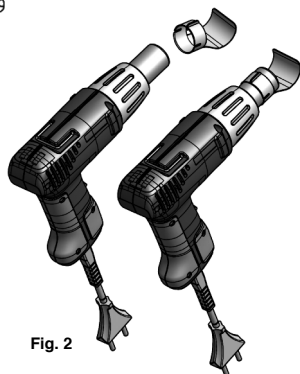


Fig. 2

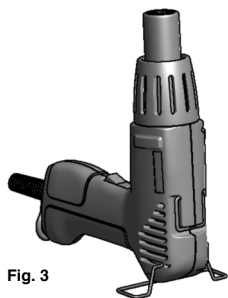


Fig. 3

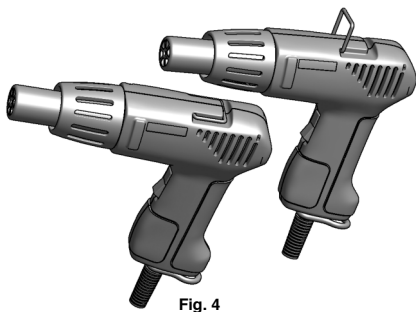


Fig. 4



Translation of the Original Operating Instructions Heat gun MH 550

Dear Customer,

Always keep these instructions close to hand. Only operate this device with exact knowledge of it and comply with the instructions.

PROXXON will not be liable for the safe function of the device for:

- handling that does not comply with the usual intended use,
- other application uses that are not stated in the instructions,
- disregard of the safety regulations,

You will not have any warranty claims for:

- operating errors,
- lack of maintenance.

For your safety, please comply with the safety guidelines without fail. These are printed in the operating instructions and must not only be read, but also understood. If the safety guidelines are not observed, then this may result in malfunctions and even injuries!

For the sake of your safety, only use original PROXXON spare parts!

All rights reserved for further developments within the meaning of technical progress.

Please keep these operating instructions in a safe place!

We wish you much success and enjoyment with the device.

Description of the device:

The Proxxon Heat Gun MH 550 is a compact, yet powerful device for thousands of functions, whether this involves

drying freshly painted surfaces, or

- removing stickers and films,
- welding plastics,
- shaping plastics,

- thawing water pipes, for example, but of course all kinds of other things,
- removing coats of paint and, e.g., putty,
- loosening stuck screw joints,
- drying wood,
- or when working with heat-shrink tubes.

The ergonomically shaped MH 550 is a perfect fit for your hand and makes work succeed quickly and perfectly: Even soft soldering of electrical connections, the acceleration of curing procedures (e.g. for adhesives or resins), decorative browning of wood, and, and, and...

For all its high performance and its usefulness, the device is still surprisingly compact: The small and light MH 550 enables fatigue-proof work, and its 1.8 m long mains cable provides an appropriately large operating range. The greatest possible flexibility is provided by the 3 included attachment nozzles (reflector nozzle, spot nozzle, flat nozzle): The shape of the air flow can be optimally adapted to the respective work task.

We made the housing of sturdy glass fibre reinforced plastic and integrated soft components for a comfortable grip. Defined footprints enable stationary use; the device can also be set up and then held securely by an adjustable wire stand. A powerful heating element with sophisticated temperature control ensures a consistent temperature in 2 settings with an air flow of 150 l/min.

And to prevent scorching, overheating protection has been included for your safety.

Scope of delivery:

- 1 pc. Heat gun MH 550
- 1 pc. Reflector nozzle
- 1 pc. Spot nozzle
- 1 pc. Flat nozzle
- 1 pc. Wire stand
- 1 pc. Operating instructions

Legend (Fig. 1)

1. Housing
2. Foldable hook
3. Bearing surface
4. Heat protection
5. Air nozzle
6. Two-stage On-off switch
7. Grip
8. Mains cable
9. Wire stand
10. Reflector nozzle
11. Flat nozzle
12. Spot nozzle

Technical Data:

Air temperature:	Setting I: 350°C, Setting II: 550°C.
Voltage:	230 Volt~
Capacity:	Setting I: 250 W, Setting II: 500 W.
Air volume:	approx. 150 L/min
Mass:	approx. 500 g
Dimensions (LxWxH):	192 x 51 x 175 mm
Noise level:	max. 75 dB

The heat gun may only be used in closed rooms!



Protection class II device



Please do not dispose off the machine!



Operation of the heat gun MH 550:

Before every use, please comply with the following safety guidelines:

- The air nozzle becomes very hot when the device is in use. Do not touch! Risk of burns!
- Always pull out the mains plug after use!

- Only use your heat gun MH 550 in a dry environment!
- Avoid unintentional start-up and never let the heat gun MH 550 operate unsupervised! Fire hazard!
- Do not work with the heat gun MH 550 in an environment containing combustible liquids, gases or dust susceptible to explosion: Electrical devices generate sparks that could ignite the dust or the vapours.

And this is how to put your heat gun into operation:

1. Insert the mains plug
2. Use the switch (Item 6 Fig. 1) to activate the device. You can operate the device with two different temperature settings. Simply select the matching switch setting I or II to do so. You can adjust the temperature optimally to the work task and to the materials.
3. After completing work with your heat gun, use the switch to turn off the device.

Caution:

When setting down the device, be aware that the nozzle could be very hot! You must permit the nozzle to cool down and make sure that it cannot come into contact with flammable materials!

Caution:

Please make sure that the air inlet and the nozzle remain free and that there is no dirt inside! This could obstruct the air flow and cause the device to overload.

Replacing or attaching the supplied attachment nozzles:

Caution:

Pull out the plug from the power socket before you adjust the device settings, replace accessories, or put the device away. These precautions prevent the device from starting unintentionally.

During operation, do not touch the nozzle attached to the device! Risk of burns!
Please note that the device requires a cooling-down phase after it has been switched off!

The special shapes of the three nozzles included in the delivery enable the air jet to conform to the shape of the work. Depending on the intended application, they are simply attached or removed, as shown in Fig. 2.

Positioning the heat gun

Setting down the heat gun MH 550

The housing has small elevations (Item 3 Fig. 1) upon which the gun can be set down. These elevations make sure that the air jet is always directed upwards. Please note that when using particular attachment nozzles, there may be contact between the nozzle and the depositing surface! This presents a risk of burning and scorching!

Setting up your heat gun MH 550 (Fig. 3):

Please clamp both sides of the wire stand in the rear ventilation slits as seen in Fig. 3. The device can then be set up as shown in the illustration. The air jet points up. This makes it possible to hold and process a work piece with both hands.

Hanging up the heat gun MH 550

The top of the housing has a foldable hook, see Fig. 4. The MH 550 can be hooked and hung up here, such as on a spring balancer.

Cleaning and Care:

Caution:

Always pull out the mains plug before maintenance, cleaning and repairs. If the mains plug remains in the power socket, then there is a risk of electric shock!

Have your device repaired only by qualified specialists using only original spare parts. This ensures that the safety of the device is retained.

Regularly check the power lead of the electric device. If the lead is damaged, have it repaired by qualified specialists. The insulation of the cable could be accidentally scorched. This can cause electric shock or a short-circuit! This presents a risk of electric shock!
Mortal danger!

With the exception of occasional cleaning, the device is primarily maintenance-free. Observe the following when cleaning:

To ensure a long service life, the machine should be cleaned with a soft cloth, hand brush or paintbrush after each time it is used. The outside of the housing can be cleaned with a soft, possibly damp cloth or with a brush. In this process, mild soap or another suitable cleaning agent can be used. Solvents or cleaning agents containing alcohol (e.g. petrol, cleaning alcohol etc.) should be avoided, since they can attack the plastic parts.

No other special maintenance activities are necessary beyond that.

Disposal:

Do not dispose of the device in the household waste! The machine contains materials that can be recycled. If you have questions concerning this topic, please contact your municipal disposal company or other appropriate municipal institutions.

EC Declaration of Conformity

Name and address of the manufacturer:

PROXXON S.A.
6-10, Härebierg
L-6868 Wecker

Product designation: MH 550
Article No.: 27130

In sole responsibility, we declare that this product conforms to the following directives and normative documents:

EU Low Voltage Directive 2014/35/EC

EU EMC Directive 2014/30/EC

Date: 20.09.2017

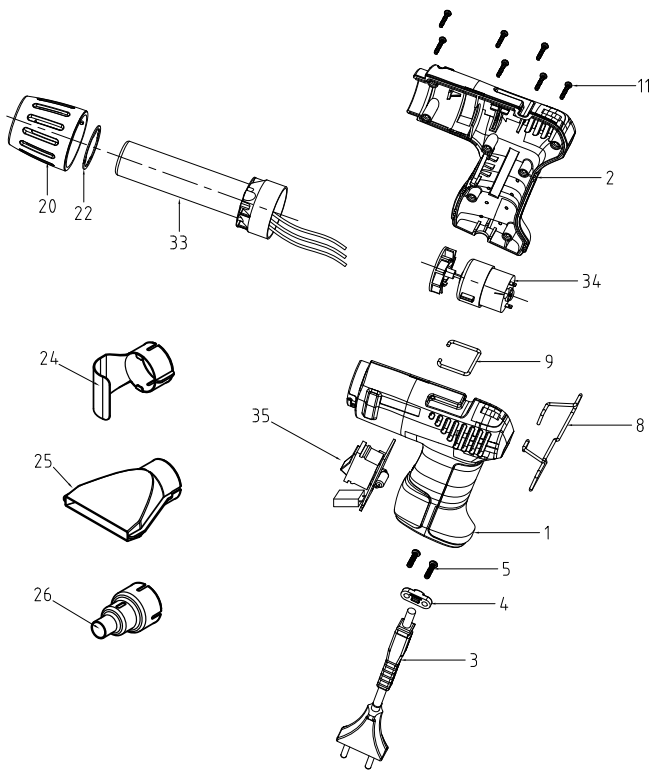


Dipl.-Ing. Jörg Wagner
PROXXON S.A.

The CE document authorized agent is identical with the signatory.

PROXXON MH 550

ET - Nr.:	Description
27130 - 01	Left housing
27130 - 02	Right housing
27130 - 03	Power cord
27130 - 04	Cord clamp
27130 - 05	Screw M3,5x14
27130 - 08	Stand wire
27130 - 09	Hook
27130 - 11	Screw
27130 - 20	Nose cone cover
27130 - 22	Steel tube support
27130 - 24	Reflector nozzle
27130 - 25	Deflector nozzle
27130 - 26	Concentrator nozzle
27130 - 33	Heat unit, complete
27130 - 34	Motor, complete
27130 - 35	Board
27130 - 36	Protective foil for heat unit (not shown)
27130 - 99	Manual



PROXXON

GB Service note

All PROXXON products are thoroughly inspected after production. Should a defect occur nevertheless, please contact the dealer from whom you purchased the product. Only the dealer is responsible for handling all legal warranty claims which refer exclusively to material and manufacturer error.

Improper use, such as capacity overload, damage due to outside influences and normal wear are excluded from the warranty.

You will find further notes regarding "Service and Spare Parts Management" at www.proxxon.com.